

Moonstone Pendant

MSPE



Materials

Handmade fiberglass with marble dust finish, thermoformed glass with handmade Battuto finish.

Power Input

110-120V 50-60Hz

Recommended Light bulbs available on request.

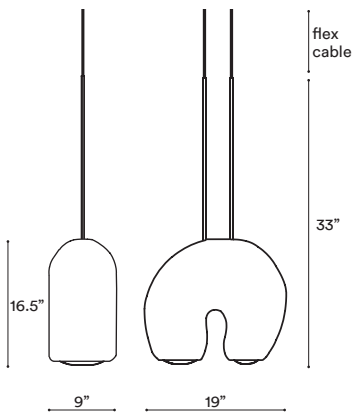


MOONSTONE PENDANT ARCH

CONFIGURATION

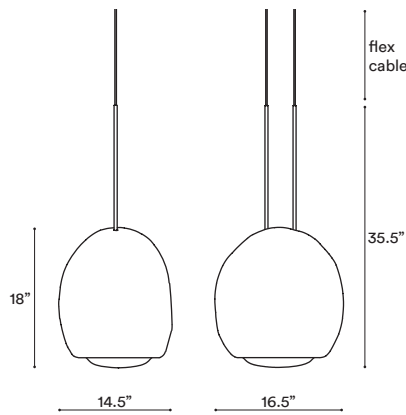
STEP 1 - CHOOSE YOUR MODEL

MODEL (UNIT: IN)



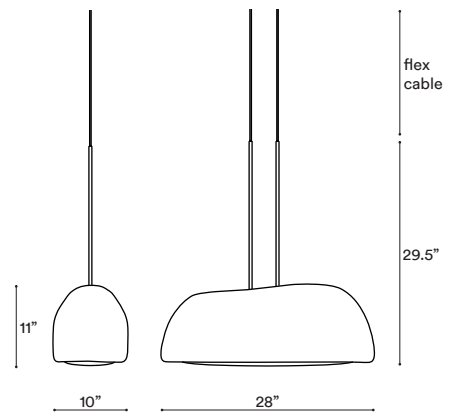
Light Source (not included):
2x GU10 Lightbulb, max. 8.3W
Weight included canopy:
~9 lbs
Minimum Drop Height:
24"

ARCH



Light Source (not included):
3x GU10 Lightbulb, maximum 8.3W
Weight included canopy:
~10 lbs
Minimum Drop Height:
27.5"

NEST

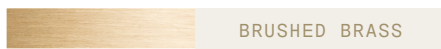


Light Source (not included):
4x GU10 Lightbulb, maximum 8.3W
Weight included canopy:
~11 lbs
Minimum Drop Height:
21"

SHELL

STEP 2 - CHOOSE YOUR METAL FINISH

METAL FINISH



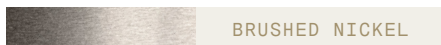
BRUSHED BRASS



BRUSHED BRONZE



BLACKENED BRASS



BRUSHED NICKEL

STEP 3 - CHOOSE YOUR SUSPENSION TYPE

SUSPENSION TYPE



Black Fabric Flex Cable

Drop height adjustable on site:

157"

393"



White Fabric Flex Cable

Drop height adjustable on site:

157"

393"



Metal tube

Specify your Drop height in inches to our sales team.

No cable showing
Not adjustable on site

MADE TO ORDER

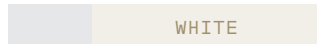
STEP 4 - CHOOSE YOUR CANOPY

CANOPY

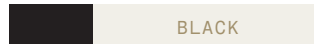
+ STANDARD CANOPY

A. We provide a D120 canopy as standard, available in the following finishes:

D120 | Ø5" X 1.5"



WHITE



BLACK



MATCHING FINISH

*Custom Canopy Colour (RAL Classic) available on request