

Moonstone Dome

MSPEDM

 IP20

Materials

Handmade fiberglass with marble dust finish, thermoformed glass with handmade Battuto finish.

Weight incl. canopy

~16.6 lbs

Power Input

110-120V 50-60Hz

Light Source (not included)

4x E26 Lightbulb, maximum 21W



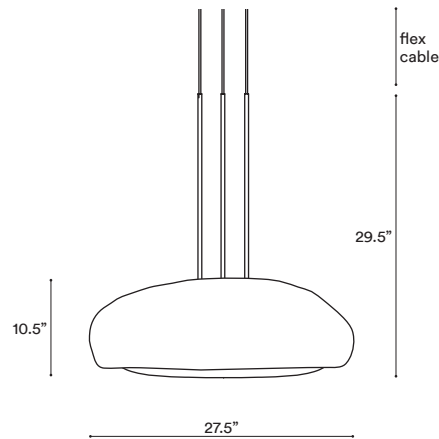
MOONSTONE DOME 70

CONFIGURATION

STEP 1 - CHOOSE YOUR METAL FINISH



SIZE (UNIT: IN)



STEP 2 - CHOOSE YOUR SUSPENSION TYPE

SUSPENSION TYPE



Black Fabric Flex Cable

Drop height adjustable on site:

157"

393"



White Fabric Flex Cable

Drop height adjustable on site:

157"

393"



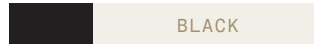
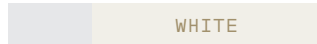
Metal tube

Specify your Drop height in inches to our sales team.
No cable showing
Not adjustable on site
Min. Drop H.: 20.5"

MADE TO ORDER

A. We provide a D170 canopy as standard. Canopy is available in the following finishes:

D170 | Ø7" X 2"



*Custom Canopy Colour
(RAL Classic) available
on request